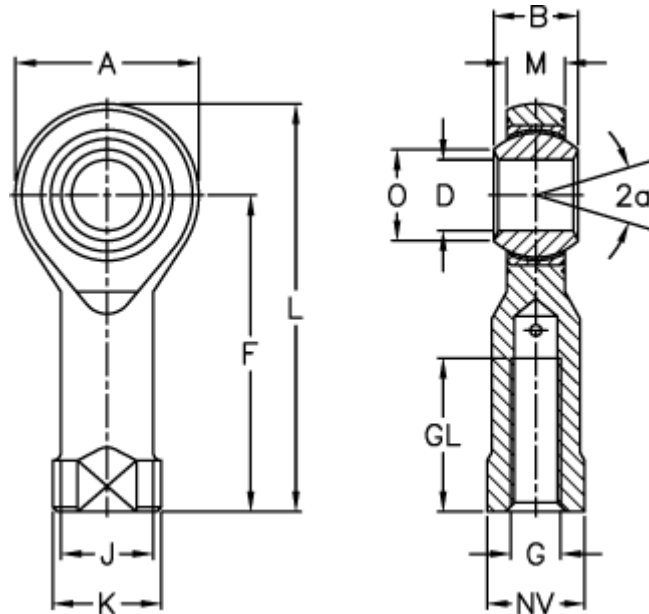


Article number: 03009006C

Description: Fluro Rod End 6

Measures



| | | | | |
|---------------------|-------|---------------------|--------|-----------------|
| A | = 20 | J | = 10 | Weight (g) = 27 |
| a (degrees) | = 13 | K | = 13 | |
| B | = 9 | L | = 40 | |
| D | = 6 | M | = 6.75 | |
| Dynamic load C (kN) | = 9.3 | NV | = 11 | |
| F | = 30 | O | = 8.9 | |
| G | = M6 | Permissible rpm | = 530 | |
| GL | = 12 | Static load C0 (kN) | = 8.9 | |